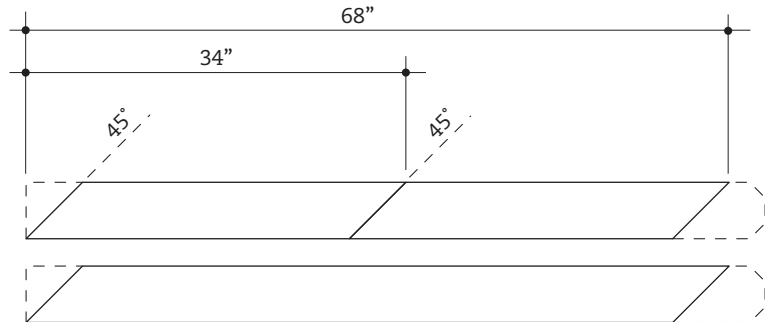


# DIY FENCE PROJECT

## WHAT YOU'LL NEED:

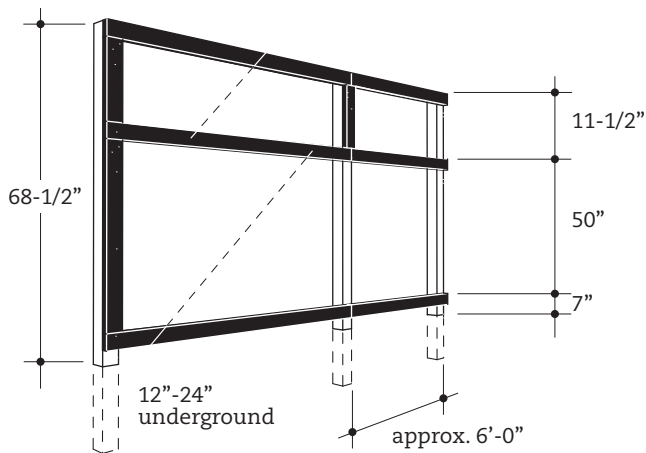
1. 4x4 posts \*
2. 2x4 framing lumber \*\*
3. 72" long 'dog ear' fence boards \*\*
4. 1x4 trim boards\*\*
5. 2-1/2" & 1-1/4" 'trim head' screws \*\*\*
6. Electric drill with driver bit to match screws
7. Miter saw
8. 3/32" drill bit (verify size with actual screw)
9. 4x4 mounting brackets for posts (optional)
10. Wood sealer (optional)

\* Pressure treated wood if going into ground  
\*\* Rough sawn cedar or redwood is recommended  
\*\*\* Stainless steel or exterior coated is recommended



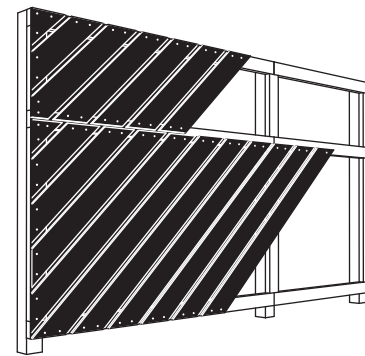
## 1.

Cut fence boards at a 45 degree angle to create parallelograms of 2 standard lengths (long and short).



## 2.

Cut the 4x4 vertical posts to size and place into the ground (12"-24" underground) or on mounting brackets about 6 feet apart. Mount pre-drilled 2x4's to posts with 2-1/2" screws.

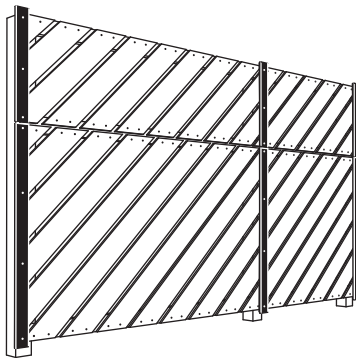


## 3.

Use 1-1/4" screws to mount fence boards to frame, leaving a 1/2" gap between boards (pre-drill holes). Note that the parallelogram shapes shift to trapezoids, then triangles at the edges. Cut to size and shape as needed.

## 4.

Use 1-1/4" screws to mount 1x4 vertical trim boards to fence (pre-drill holes). Boards should hang 1/2" over the top and bottom of the fence. Segment the boards at the seam.



## 5.

Use 1-1/4" screws to mount 1x4 horizontal trim boards to fence (pre-drill holes). Repeat pattern, shifting panels up or down to account for slope if necessary. Either let the wood naturally grey over time or brush-on a wood sealer.

